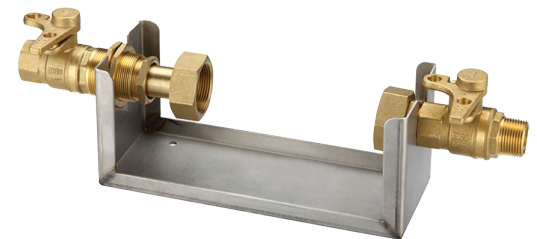
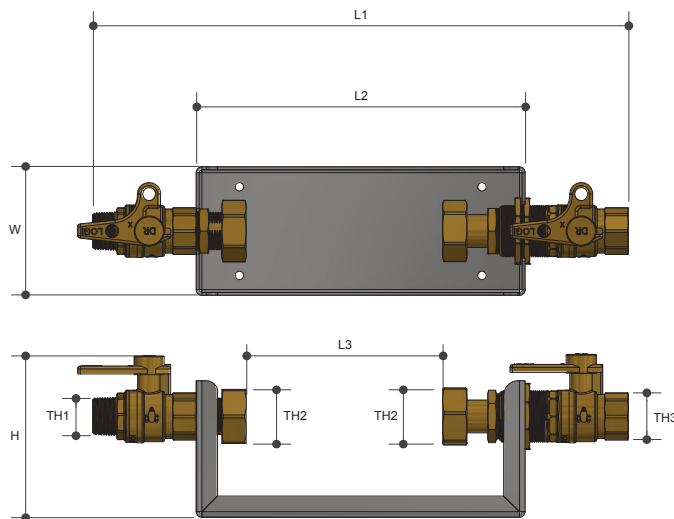


SUB METERING

Sub Metering Kit Telescopic Lead Free

Product Specifications



Specifications

Working temperature 1°C to 95°C

Max. pressure rating 1600kPa

Meter thread

Sizing Chart (MM)

	L1	L2	L3	H	W	TH1	TH2	TH3	HANDLE
SMKLF	360 - 385	230	129 - 156	114	90	R 3/4"	DN20*	Rp 3/4"	Lockable

*Meter thread QLD/VIC WSA PS 300

Description

Austworld sub metering kits have been developed for ease of installation and the minimisation of installation times. The integrated valve design gives more adjustment for different types of meters and the limited number of joints reducing the chances of leaking.

The SMK has been designed to be used with most brands meters such as RMC, Hyrdus, Elster, Itron and any other meters that fit inside the tolerances of the couplings

For more information on Logi Civil, contact:

Austworld 15 Activity Crescent, Molendinar, Queensland 4214 Australia

P. 1300 780 430

F. 1300 780 441

E. info@austworld.com.au

Features

Watermark Lead Free Approved

SS304 welded plate for strength and longevity

Adjustable spring loaded coupling

One piece valve to reduce the chance of leaks

Maximum valve adjustment

Double O Ring seal on coupling

100% pressure tested

Valve fully pre-assembled

Locking nut on coupling

Tested and certified to AS4796

Material Chart

Part	Material
Spring	Stainless Steel
Nut	DR Brass
Body	DR Lead Free Brass
Handle	DR Brass
Ball	Stainless Steel
Cap	DR Lead Free Brass
O Ring	FKM
Washer	EPDM
Plate	Stainless Steel
Spindle	Stainless Steel