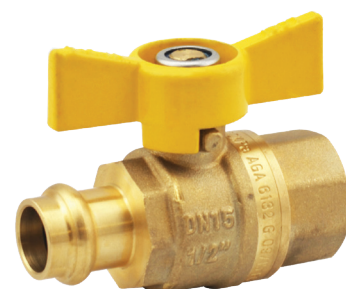
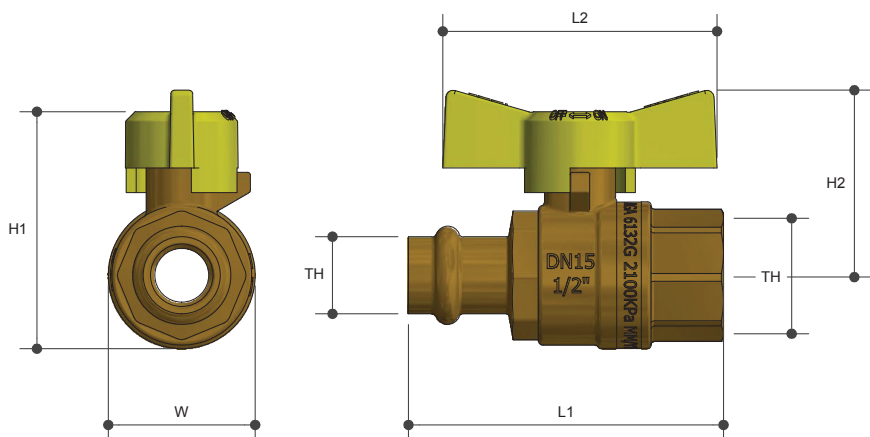


GAS APPROVED BALL VALVE

Pressfit CU X FI Butterfly Handle

Product Specifications



Features

AGA approved

Full bore

100% pressure tested

Available in sizes 15mm (1/2") to 25mm (1")

Blow proof spindle

Aluminium handle

For use with Viega, Rothenberger, Novopress, Kempress, Rems & V-Profile Tools only

Tested and certified to AS 4617

Specifications

Working temperature -20°C to 120°C

Maximum pressure rating 2100kPa

Sizing Chart (MM)

	L1	L2	H1	H2	W	TH1	TH2
WBG15F	64	56	48	38	30	DN15	Rp 1/2"
WBG20F	73	56	55	41	37	DN20	Rp 3/4"
WBG25F	89	56	64	45	46	DN20	Rp 1"

Material Chart

Part	Material
Body	Brass
Cap	Brass
Ball	Stainless Steel
Spindle	Stainless Steel
Seal	PTFE
O Ring	HNBR
Handle	Aluminium

For more information on Logi Valve, contact:
 Austworld 15 Activity Crescent, Molendinar, Queensland 4214 Australia
 P. 1300 780 430 F. 1300 780 441 E. info@austworld.com.au

Austworld Pty Ltd. All rights reserved 2018. Austworld and Logi Valve are registered trade mark belonging to Austworld Pty Ltd.

Revision no. 1.1 | 11/03/2024

