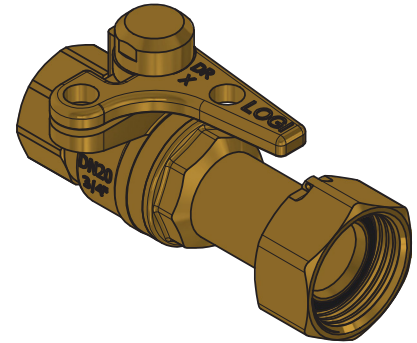
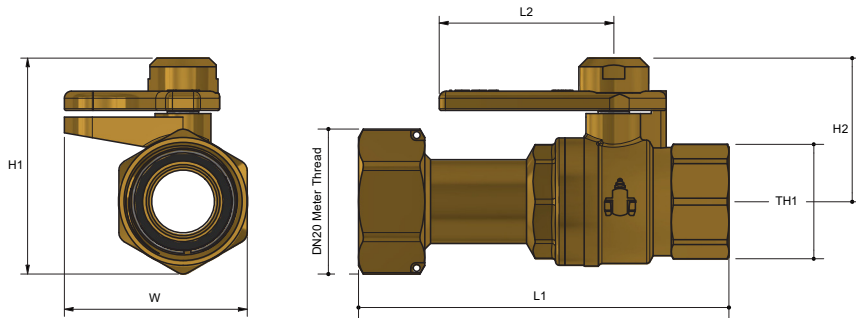


WATER SERVICE BALL VALVES

Meter Thread Swivel Nut FI Lockable Lead Free

Product Specifications



Specifications

Working temperature 1°C to 90°C

Max. pressure rating 2500kPa

Sizing Chart (MM)

	L1	L2	H1	H2	W	TH1	TH2
WB20FSLF	106	50	62	41	52	Rp 3/4"	*DN20
WB25FSLF	106	50	72	46	61	Rp 1"	*DN25

* Meter Thread WSA PS 300



Lead Free
AS 4796
WMTS-012
Lic 649

Features

Watermark Lead Free Approved

DR Lead Free Brass

Full Bore

100% pressure tested

Lockable ON and OFF

Tested and certified to AS 4796

Material Chart

Part	Material
Body	DR Lead Free
Cap	DR Lead Free
Ball	Stainless Steel
Spindle	Stainless Steel
Seal	PTFE
O Ring	FKM
Handle	DR Brass
Nut	DR Brass
Retaining Ring	Stainless Steel
Washer	EPDM

For more information on Logi Civil, contact:
Austworld 15 Activity Crescent, Molendinar, Queensland 4214 Australia
P. 1300 780 430 F. 1300 780 441 E. info@austworld.com.au

Austworld Pty Ltd. All rights reserved 2018.
Austworld and Logi Civil are registered trade mark belonging to Austworld Pty Ltd.

