

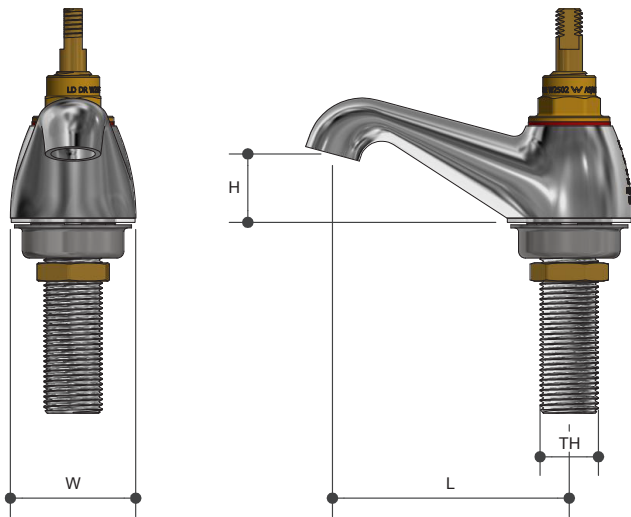
# Unstyled Tapware

## PILLAR TAP LEAD FREE

### ST30LF

Product Specifications

**MT** MONOPOLY<sup>®</sup>  
T A P W A R E



#### Specifications

Maximum working temperature 75°C

Maximum pressure rating 1000kPa

#### Features

Watermark Lead Free Approved

Chrome plated finish

Tested and certified to AS/NZS 3718

#### Sizing Chart (MM)

	L	H	W	TH	SIZE
ST30LF	85	25	45	G 1/2"	15MM



For more information on Monopoly Tapware, contact:  
Austworld 15 Activity Crescent, Molendinar, Queensland 4214 Australia  
P. 1300 780 430 F. 1300 780 441 E. info@austworld.com.au

Austworld Pty Ltd. All rights reserved 2018. Austworld and Monopoly Tapware are registered trade mark belonging to Austworld Pty Ltd.

