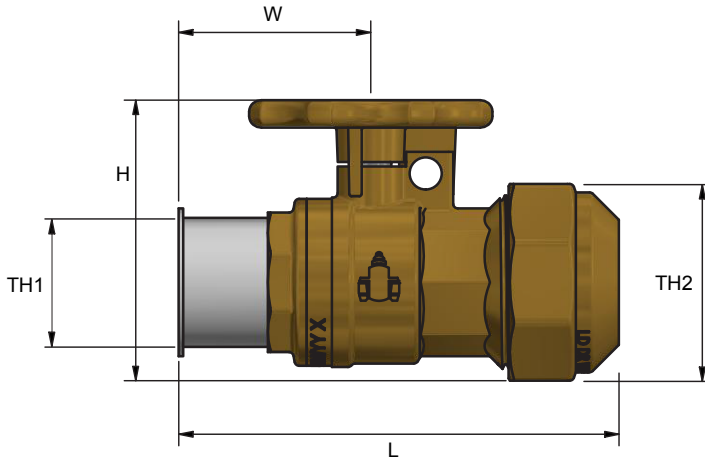


WATER SERVICE BALL VALVES

Inline MI X PE Lockable

Product Specifications



Specifications

Working Temperature 1°C to 60°C

Maximum Pressure Rating 1600 kPa

Sizing Chart (MM)

	L	W	H	TH1	TH2
WPE2025MWALF	95	42	61	R 3/4"	PE 25
WPE2532MWALF	109	49	69	R 1"	PE 32

Features

Watermark Lead Free Approved

DR Lead Free Brass

100% pressure tested

316 stainless steel ball, spindle and screw

Lockable ON and OFF

Tested and certified to AS 4796

Material Chart

Part	Material
Body	DR Lead Free Brass
Handle	DR Lead Free Brass
Ball	Stainless Steel
Cap	DR Lead Free Brass
O Ring	Rubber EPDM
Seal	PTFE
Spindle	Stainless Steel
Screw M4 x 8	Stainless Steel

For more information on Logi Civil, contact:
Austworld 15 Activity Crescent, Molendinar, Queensland 4214 Australia
P. 1300 780 430 F. 1300 780 441 E. info@austworld.com.au

Austworld Pty Ltd. All rights reserved 2018.
Austworld and Logi Civil are registered trade mark belonging to Austworld Pty Ltd.

