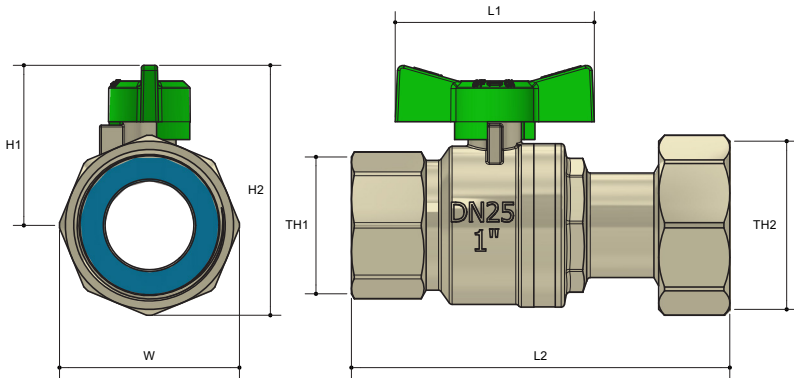


SWIVEL NUT BALL VALVE

FI Water Butterfly Handle

Product Specifications



Specifications

Working temperature 1 °C to 95 °C

Maximum pressure rating 2500kPa

Sizing Chart (MM)

	L1	L2	H1	H2	W	TH1	TH2
H3225FWLF	56	106	45	70	51	RP 1"	G1 1/4"

Features

Watermark Lead Free Approved

Full bore

100% pressure tested

Blow proof spindle

Swivel nut

Tested and certified to AS 4796

Material Chart

Part	Material
Body	DR Lead Free Brass
Cap	DR Lead Free Brass
Ball	Stainless Steel
Spindle	Stainless Steel
O Ring	HNBR
Handle	Aluminium
Seal	PTFE
Nut	Brass
Washer	BA-U

For more information on Logi Valve, contact:
Austworld 15 Activity Crescent, Molendinar, Queensland 4214 Australia

P. 1300 780 430 F. 1300 780 441 E. info@austworld.com.au

Austworld Pty Ltd. All rights reserved 2018. Austworld and Logi Valve are registered trade mark belonging to Austworld Pty Ltd.

Revision no. 1.1 | 11/03/2024

