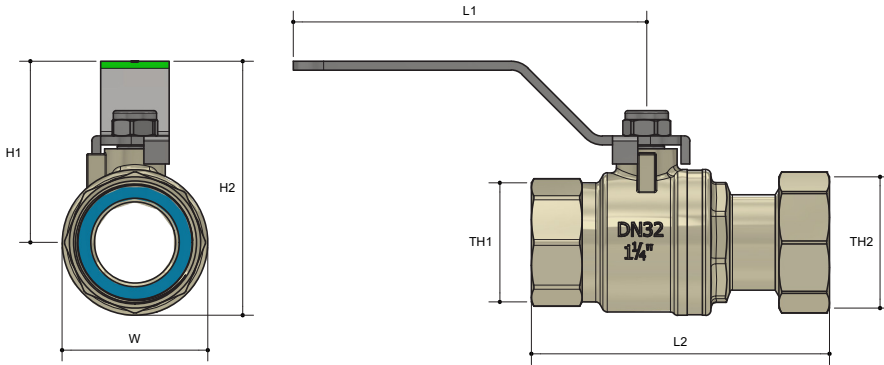


# SWIVEL NUT BALL VALVE

FI Water Lever Handle Lead Free

## Product Specifications



## Specifications

Working temperature 1°C to 95°C

Maximum pressure rating 2500kPa

## Sizing Chart (MM)

	L1	L2	H1	H2	W	TH1	TH2
H32FWLF	140	118	72	100	58	Rp1 1/4"	G1 1/4"
H4032FWLF	140	118	72	100	58	Rp1 1/4"	G1 1/2"
H5040FWLF	140	126	77	111	69	Rp1 1/2"	G 2"

## Features

Watermark Lead Free Approved

Full bore

100% pressure tested

Blow proof spindle

Swivel nut

Tested and certified to WMTS-012

## Material Chart

Part	Material
Body	DR Lead Free Brass
Cap	DR Lead Free Brass
Ball	Stainless Steel
Spindle	Stainless Steel
O Ring	FKM
Handle	Stainless Steel
Seal	PTFE
Nut	Brass
Washer	BA-U

For more information on Logi Valve, contact:  
Austworld 15 Activity Crescent, Molendinar, Queensland 4214 Australia

P. 1300 780 430 F. 1300 780 441 E. info@austworld.com.au

Austworld Pty Ltd. All rights reserved 2025. Austworld and Logi Valve are registered trade mark belonging to Austworld Pty Ltd.

Revision no. 1.2 | 11/07/2025

